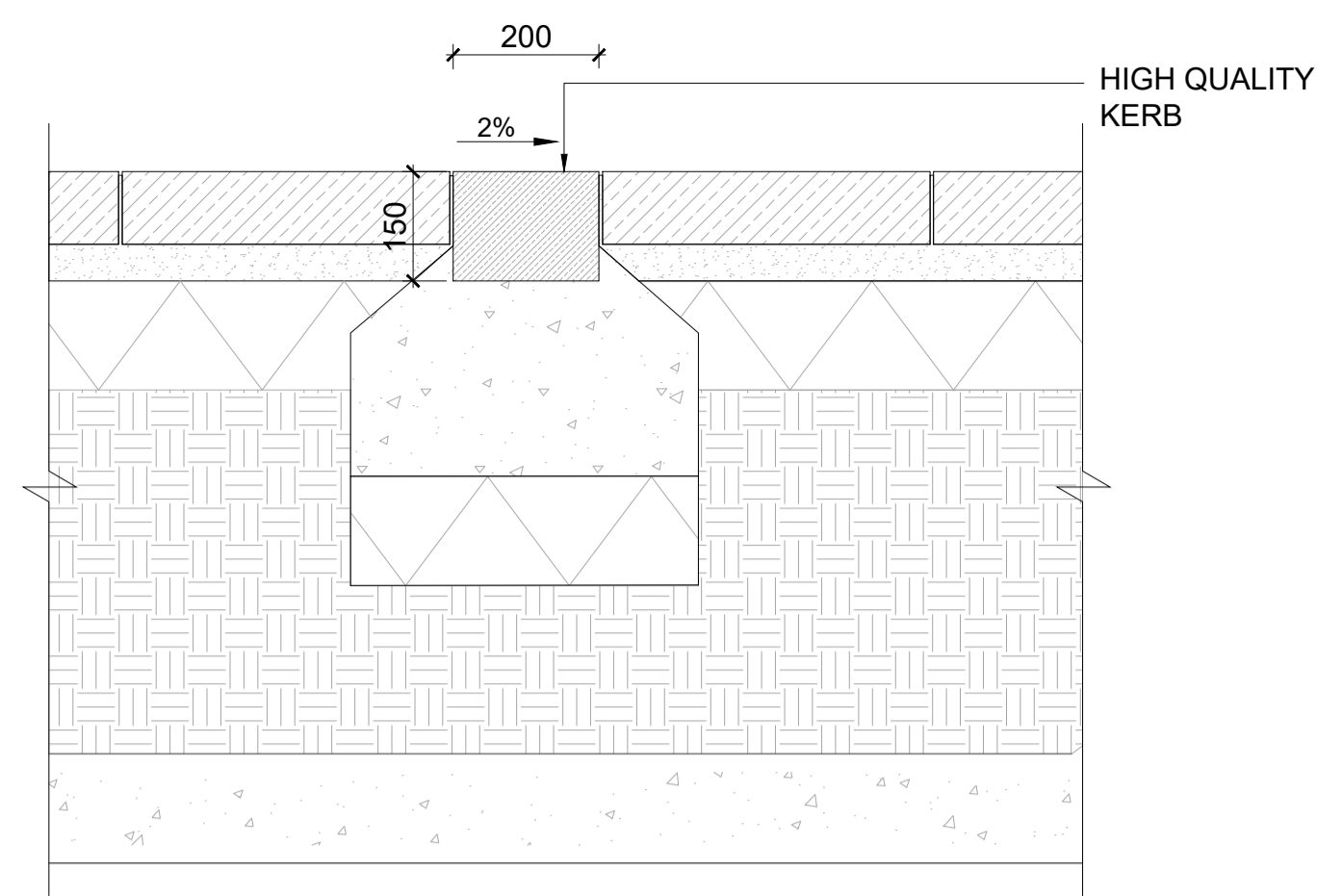
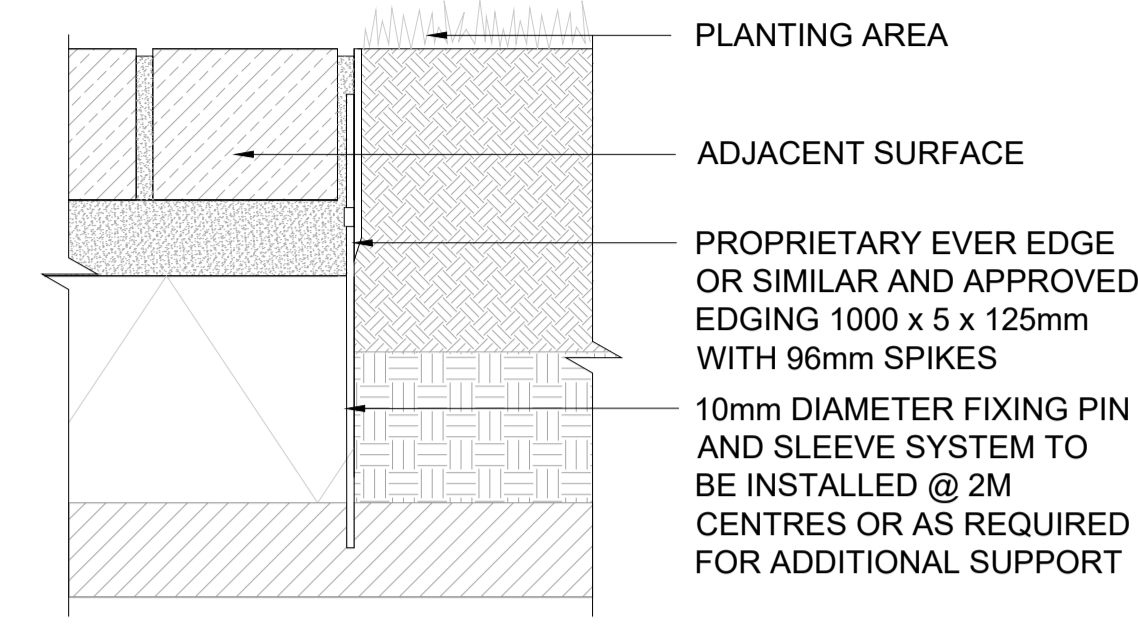


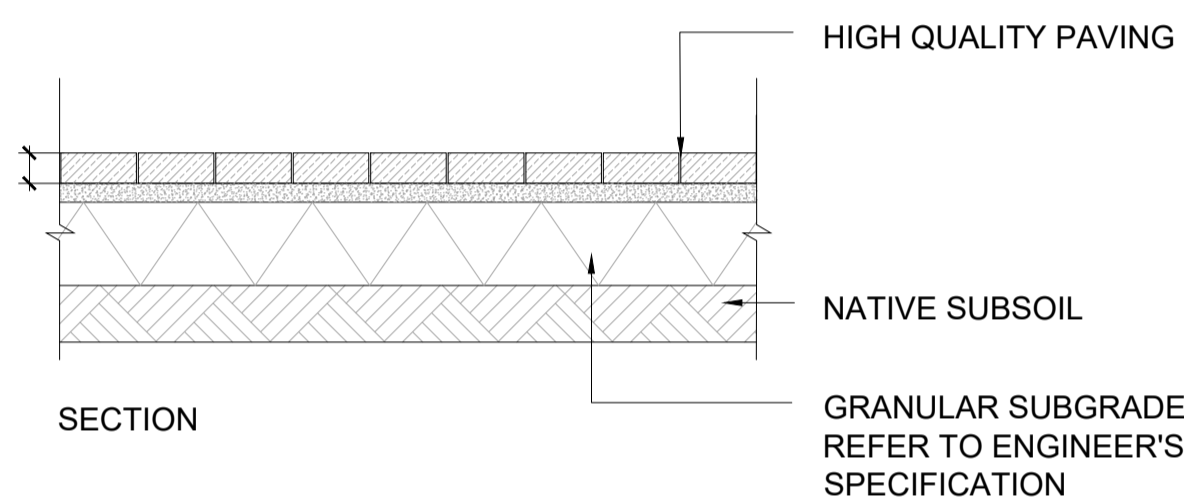
01 RAISED KERB
SCALE: 1:10 @A1



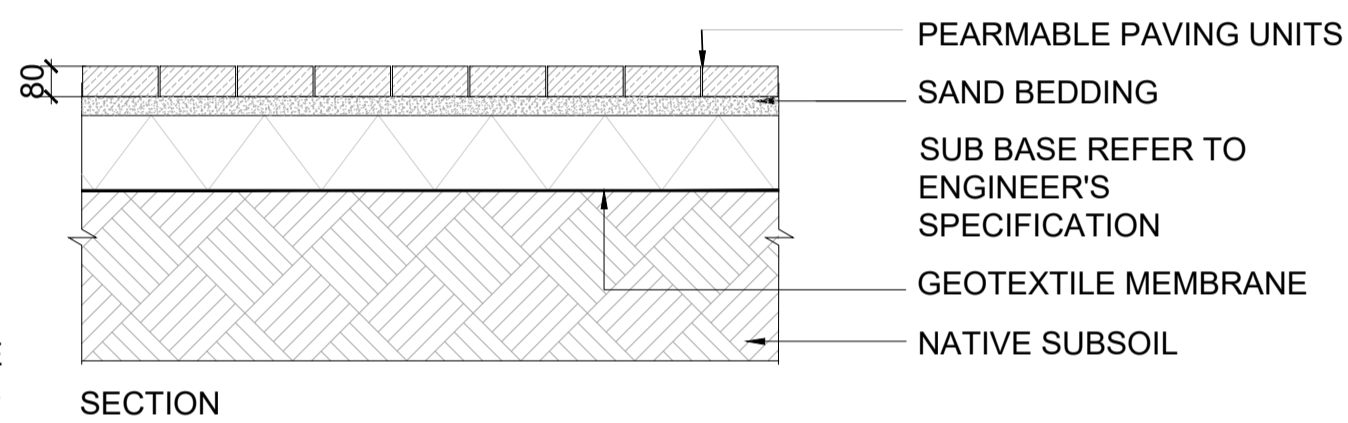
02 FLUSH KERB
SCALE: 1:10 @A1



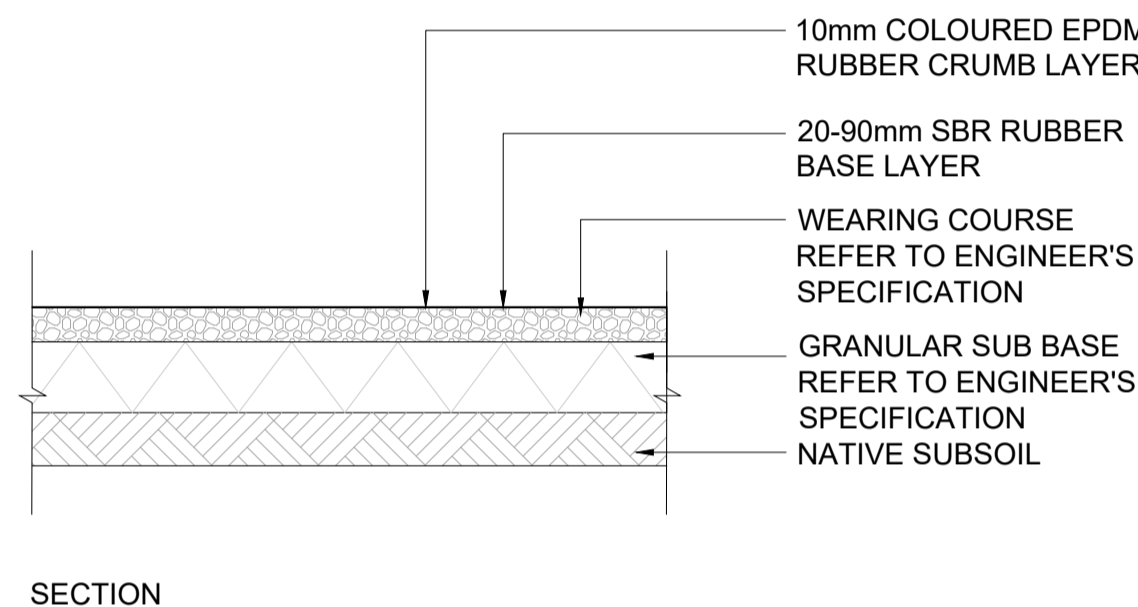
03 TYPICAL STEEL EDGING
SCALE: 1:5 @A1



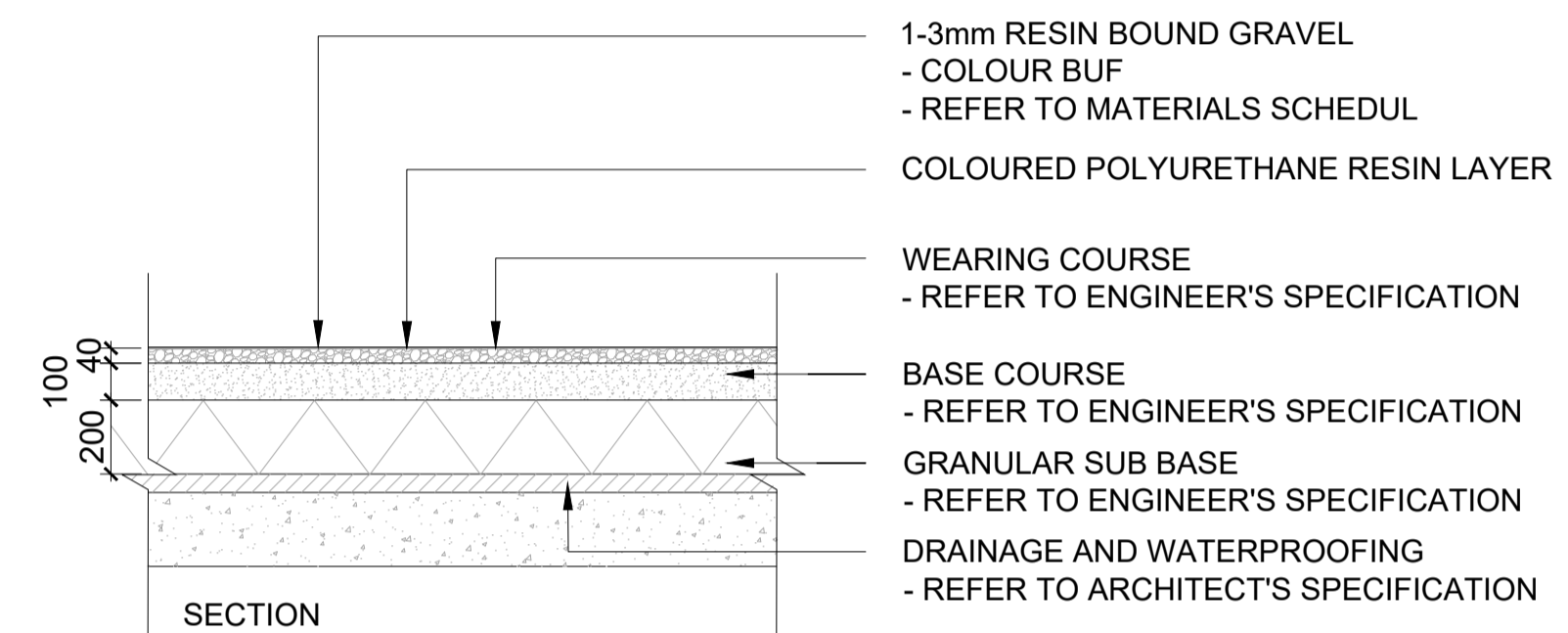
04 HIGH QUALITY PAVING
SCALE: 1:20 @A1



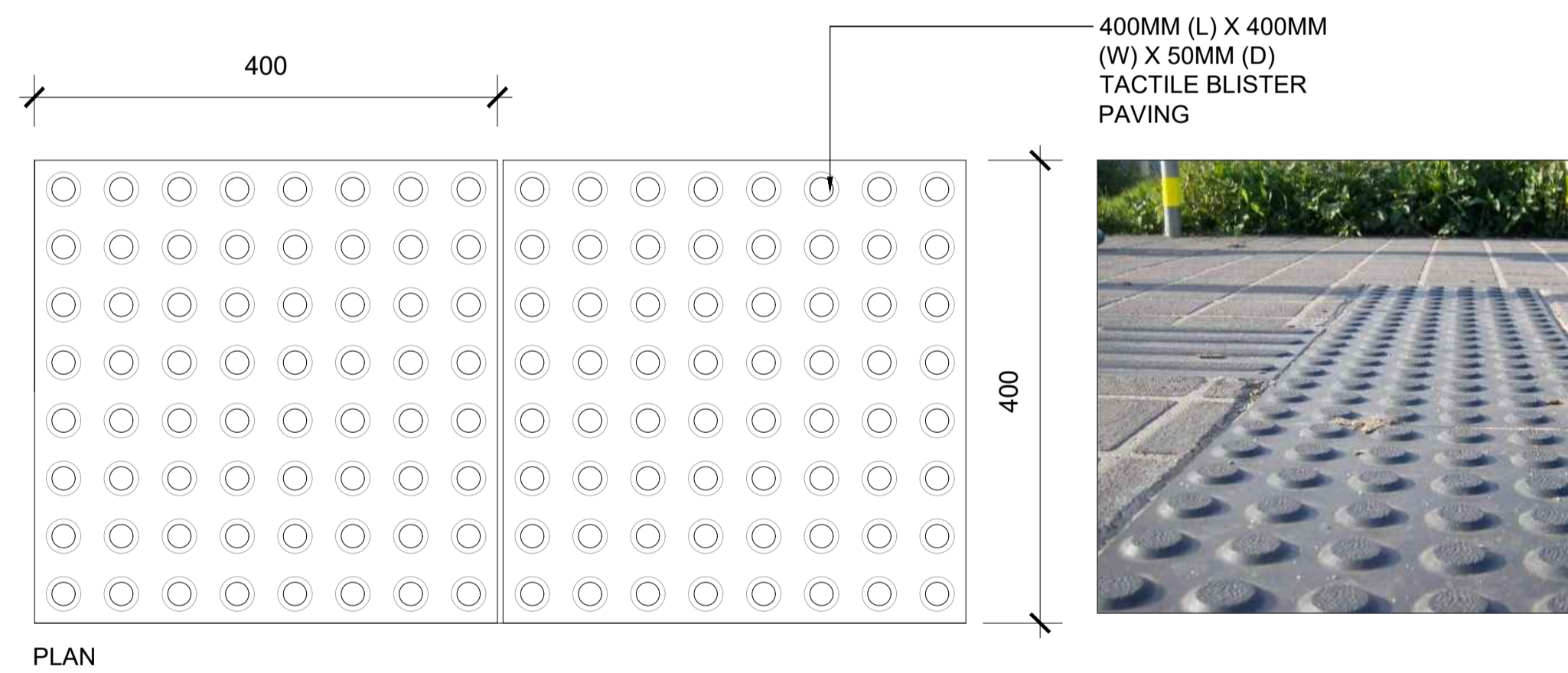
05 TYPICAL PERMEABLE PAVING
SCALE: 1:20 @A1



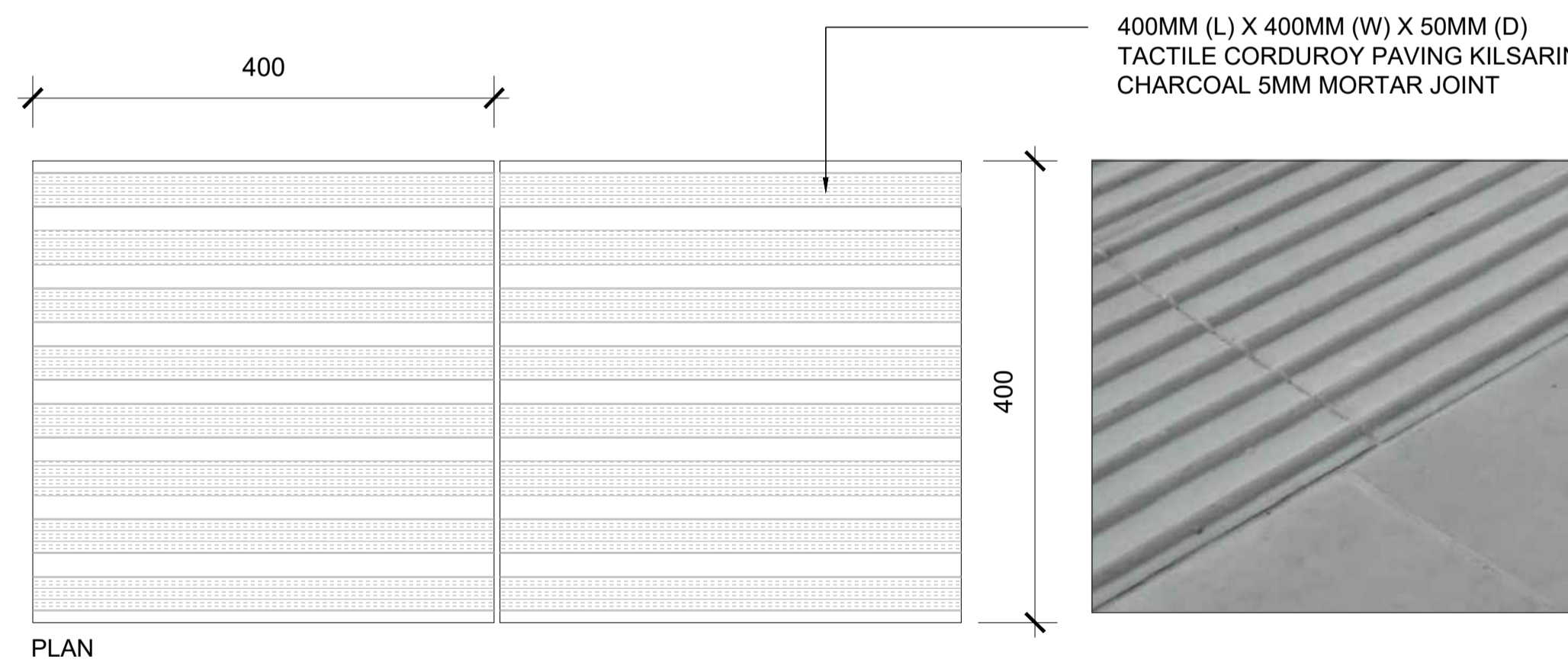
06 TYPICAL SOFT POUR SURFACE
SCALE: 1:20 @A1



07 TYPICAL RESIN BOUND GRAVEL
SCALE: 1:20 @A1



08 TYPICAL TACTILE BLISTER PAVING TO CROSSING POINTS
SCALE: 1:5 @A1 - SUBJECT TO FURTHER DETAILED DESIGN



09 TYPICAL TACTILE CORDUROY PAVING TO TOP + BOTTOM OF STEPS
SCALE: 1:5 @A1 - SUBJECT TO FURTHER DETAILED DESIGN

NOTE
ALL DIMENSIONS TO BE CHECKED ON SITE
NO DIMENSIONS TO BE SCALED FROM THIS DRAWING
THIS DRAWING IS TO BE READ IN CONJUNCTION WITH
RELEVANT CONSULTANTS DRAWINGS
NO PART OF THIS DOCUMENT MAY BE REPRODUCED OR
TRANSMITTED IN ANY FORM OR STORED IN ANY RETRIEVAL
SYSTEM OF ANY NATURE WITHOUT THE WRITTEN PERMISSION
OF THE LANDSCAPE ARCHITECT AS COPYRIGHT HOLDER EXCEPT
AS AGREED FOR USE ON THE PROJECT FOR WHICH THE
DOCUMENT WAS ORIGINALLY ISSUED.
FOR DRAWING INDEX, GENERAL NOTES, REFER TO
DWG L1-001

CLIENT:

ATLAS GP LIMITED

ARCHITECTS:



1-3mm RESIN BOUND GRAVEL
- COLOUR BUF
- REFER TO MATERIALS SCHEDULE
COLOURED POLYURETHANE RESIN LAYER
WEARING COURSE
- REFER TO ENGINEER'S SPECIFICATION
BASE COURSE
- REFER TO ENGINEER'S SPECIFICATION
GRANULAR SUB BASE
- REFER TO ENGINEER'S SPECIFICATION
DRAINAGE AND WATERPROOFING
- REFER TO ARCHITECT'S SPECIFICATION

REVISIONS

Job No.	18A5A	Drawn By	Author
Dwg No.	A-L1-901	Checked By	Checker
Scale	@A1	Date	AUGUST 2022

JOB DESCRIPTION

Site	FORMER AVID TECHNOLOGY SITE
Project	CARMANHALL ROAD SHD 2022
Title	EDGES AND PAVING



Architects 33 Rock Road, Williamstown, Blackrock, Co. Dublin
Telephones : 2121 800 Fax : 2121 007 E mail : info@nmp.ie